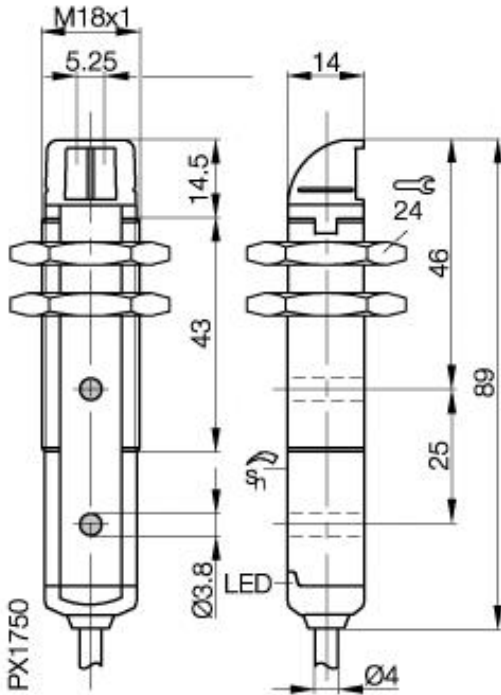


Photoelectric Sensor
BOS 18KW-PA-1QC-C-02
Sn=3000mm
Retroreflective



Common Data

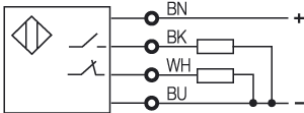
Series	18K
Sensortype	Retroreflective
Switching frequency	1000 Hz
Rated operating distance Sn in mm	3000
asured operating distance Sa	100...2500
Indication Switching element on	yes, yellow LED
Indication Special funktion	LED green Stability indicator
Ambient temperature	-25...+55°C
On-delay	0,5ms
Off-delay	< 0,8ms
Light	LED Red light
Wavelength / Laser protection class	Polarizing filter
Sensitivity Adjustment	Poti 270°
Diameter of active zone	approx.60mm at 2m
Output function	light-on or dark-on

Mechanical Data

Measurements	M18x89
Shock	Halfsinus, 30gn, 11ms
Vibration	10...55Hz, 1,5mm Amplitude 3x2h
Housing material	PBT
Material of sensing face	PMMA
Degree of protection	IP67
Connection	Cable
Weigth	75g
Type of Cable	PVC, 4x0,14mm ²

Electrical Data

Current	DC
Switching function	NO/NC
Output	PNP
Rated operational voltage Ue	24V DC
Rated operational current Ie	100mA
Supply Voltage	10...30V DC
Ripple	< 10% from UB
Frequency of Supply Voltage	DC
No-load supply current	<35mA
Voltage drop	<2V
Short protection	yes
Protected against polarity reversal	yes



Utilization categories
 Insulation class

DC 13

Datasheet number:

Definitions see general catalog.
 If not otherwise noted, ratings according to
 IEC 60947-5-2 (DIN EN60947-5-2)

Balluff GmbH
 Schurwaldstrasse 9
 73765 Neuhausen a.d.F.
 Phone (07158) 173-0 Fax (07158) 5010

Datenblatt by CD-ROM - 04/2007

BALLUFF
 sensors worldwide